

# 7FBR10.13 7FBR15.18



7FBR15

## MAIN VEHICLE SPECIFICATIONS

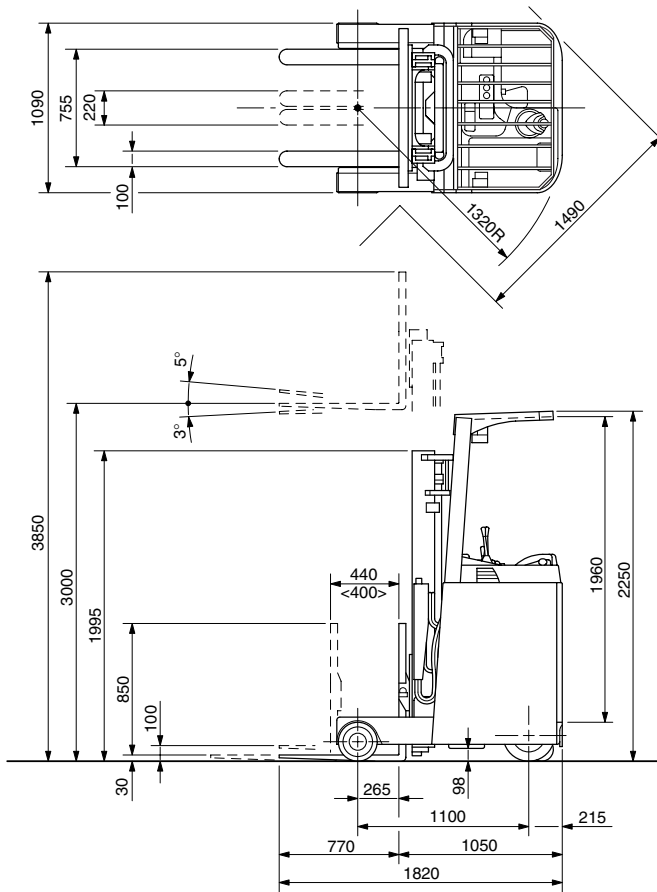
				TOYOTA	TOYOTA	TOYOTA	TOYOTA	
				7FBR10	7FBR13	7FBR15	7FBR18	
1	Manufacturer			TOYOTA	TOYOTA	TOYOTA	TOYOTA	
2	Model			7FBR10	7FBR13	7FBR15	7FBR18	
3	Load Capacity	kg		1000	1250	1500	1800	
4	Load Center	mm		500	500	500	500	
5	Power Type			Battery	Battery	Battery	Battery	
6	Operator Position			Stand On	Stand On	Stand On	Stand On	
7	Tire Type	Front/Rear		Cushion	Cushion	Cushion	Cushion	
8	Wheels (x = driven)	Front/Rear		2/1x+2	2/1x+2	2/1x+2	2/1x+2	
9	Maximum Fork Height (MFH)	mm		3000	3000	3000	3000	
10	Free Lift	mm		100	100	105	105	
13	Fork Size	T x W x L	mm	30x100x770	30x100x850	35x100x920	35x100x920	
	Fork Spread (Outside)	MAX./MIN.	mm	755/220	755/220	755/220	755/220	
14	Tilt Range	Up/Down	deg	5/3	5/3	5/3	5/3	
	Overall Length		mm	1820	1900	2075	2075	
15	Length to Fork Face		mm	1050	1050	1155	1155	
	Width Between Reach Legs		mm	755	755	755	755	
	Reach Stroke		mm	440	590	585	735	
16	Overall Width		mm	1090	1090	1090	1090	
17	Mast Lowered Height		mm	1995	1995	1995	1995	
18	Mast Extended Height		mm	3850	3850	3850	3850	
19	Overhead Guard Height		mm	2250	2250	2250	2250	
21	Turning Radius (Outside)		mm	1320	1470	1560	1710	
22	Load Distance (Centerline of front axle to front face of forks)		mm	265	415	410	560	
	Rear Overhang		mm	215	215	215	215	
	Right Angle Stacking Aisle Width (With pallets 1100x1100) *		mm	2320	2350	2440	2480	
	Intersecting Aisle Width		mm	1490	1570	1620	1690	
24	Speeds	Travel, Max. (FWD/RVS)	Full Load	km/h	9.5	9.5	9.5	9.5
			No Load	km/h	10.5	10.5	10.5	10.5
		Lifting	Full Load	mm/sec	350	320	310	300
			No Load	mm/sec	540	540	540	540
26	Lowering	Full Load	mm/sec	500	500	500	500	
		No Load	mm/sec	550	550	550	550	
27	Traction	Full Load/ No Load	3-Minute Ratings	N	4500/5600	5300/6000	6000/6300	6000/6300
			5-Minute Ratings	N	4500/5600	5300/6000	6000/6300	6000/6300
			60-Minute Ratings	N	2900/3100	2800/3100	2400/2700	2300/2700
29	Gradeability **	Full Load/ No Load	3-Minute Ratings	% (tanθ)	19/32	18/31	17/30	15/28
			5-Minute Ratings	% (tanθ)	19/32	18/31	17/30	15/28
			60-Minute Ratings	% (tanθ)	12/20	11/19	8/15	7/14
32	Total Weight	Without Battery	kg	1680	1700	1730	1810	
33	Weight Distribution (With STD Battery)	Full Load (Full Reach)	Front	kg	2560	2850	3230	3590
			Rear	kg	470	450	460	480
34		No Load (No Reach)	Front	kg	760	690	760	730
			Rear	kg	1270	1360	1430	1540
35		Number	Front/Rear		2/1+2	2/1+2	2/1+2	
36	Tires	Size	Front, Load		260x120	260x120	254x120	254x120
			Rear, Drive		330x145	330x145	330x145	330x145
37			Rear, Caster		150x80	150x80	150x80	
38	Wheelbase		mm	1100	1250	1350	1500	
39	Tread	Front	mm	970	970	970	970	
		Rear	mm	650	650	650	650	
	Backrest Height		mm	850	850	850	850	
	Overhead Guard Clearance		mm	1960	1960	1960	1960	
	Floor Height		mm	250	250	250	250	
40	Underclearance ***	Min. <Suspension>	mm	70 (No Load)	70 (No Load)	70 (No Load)	70 (Full Load)	
41		Center of Wheelbase	mm	98 (No Load)	98 (No Load)	98 (No Load)	98 (Full Load)	
42	Brake	Front		Hdraulic	Hdraulic	Hdraulic	Hdraulic	
		Service (Foot)		Mechanical	Mechanical	Mechanical	Mechanical	
43		Parking		Mechanical	Mechanical	Mechanical	Mechanical	
45	Battery	Voltage/Capacity (5-hour ratings)	STD	V/AH	48/201	48/201	48/280	48/280
			High	V/AH	48/225	48/225	48/370	48/370
46		Weight (STD Capacity Type)	kg	350	350	465	465	
47		Drive	kW	4.9	4.9	4.9	4.9	
48	Electric Motors	Load Handling	kW	6.5	6.5	8.0	8.0	
		Power Steering	kW	0.26	0.26	0.26	0.26	
54	Control Type	Drive		Transistor inverter	Transistor inverter	Transistor inverter	Transistor inverter	
		Load Handling		Transistor chopper	Transistor chopper	Transistor chopper	Transistor chopper	
		Power Steering		Transistor chopper	Transistor chopper	Transistor chopper	Transistor chopper	
57	Operating Pressure	For Attachments	MPa (psi)	12.2 (1800)	12.2 (1800)	16.7 (2400)	16.7 (2400)	

NOTE: \* Safety clearance of 200 mm not included (general application). \*\* Computed values. \*\*\* The underclearance value is valid under the following conditions: no reach, 500 mm load center and the suspension spring in correct adjustment. Underclearance will be increased slightly under the full reach condition.

# DIMENSIONAL DRAWINGS

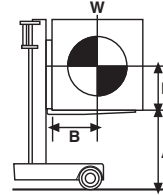
7FBR10

Unit: mm



# RATED CAPACITIES

7FBR10



A: Max. Fork Height  
B: Load Center  
W: Capacity

## V, SV, FV Mast

Unit: kg (W)

A (mm)	4000	4500	5000	
500	1000	950	900	
600	870	830	780	
B (mm)	700	770	730	690
800	690	660	620	
900	630	600	570	
1000	570	550	520	

## FSV Mast

Unit: kg (W)

A (mm)	4000	4300	4700	5000	5500	6000
500	1000	950	900	850	700	550
600	870	830	780	740	610	480
B (mm)	700	770	730	690	660	610
800	690	660	620	590	480	380
900	630	600	570	530	440	350
1000	570	550	520	490	400	320

## REACH LEGS HEIGHT

7FBR10 ..... 275

## UNDERCLEARANCE

Center of Wheelbase (NoLoad) ..... 98  
Rear Frame (No Load) ..... 90

NOTE: < > is data for V and SV mast at a maximum fork height of 2700 mm or less.

## SPECIAL MAST

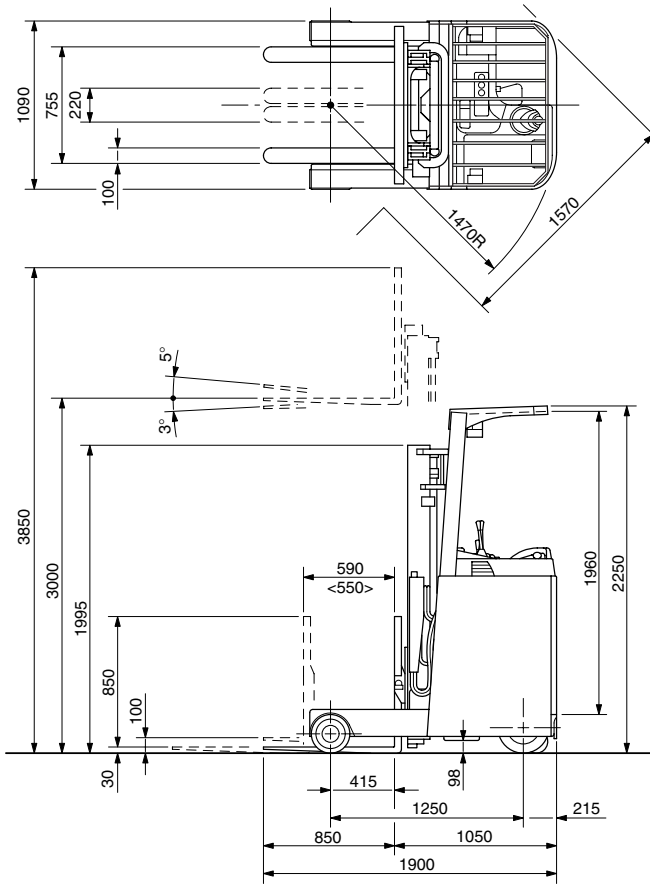
Wide Visible Mast (SV), Wide Visible Full-Free Lift Two-Stage Mast (FV),  
Wide Visible Full-Free Lift Three-Stage Mast (FSV)

Model			7FBR10			
Type of Mast			SV	FV	FSV	
PERFORMANCE						
Speeds	Lifting	Full Load	mm/sec	350	290	290
		No Load	mm/sec	540	480	480
	Lowering	Full Load	mm/sec	500	450	450
		No Load	mm/sec	550	400	420
Reach Stroke		mm	440 <400>	415	370	
DIMENSIONS						
Load Distance (Centerline of front axle to front face of forks)		mm	265	240	195	
Overall Length (to Top of Forks)		mm	1820	1845	1890	
Overall Width		mm	1090	1090	1090	
Turning Radius (Outside)		mm	1320	1320	1320	
Intersecting Aisle Width		mm	1490	1490	1490	

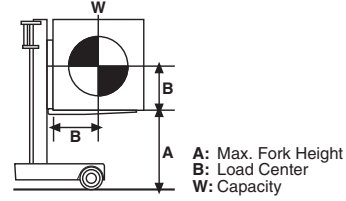
NOTE: < > is data for V and SV mast at a maximum fork height of 2700 mm or less.

**DIMENSIONAL DRAWINGS**  
7FBR13

Unit: mm



**RATED CAPACITIES**  
7FBR13



**V, SV, FV Mast** Unit: kg (W)

A (mm)	4000	4500	5000
500	1250	1150	1050
600	1090	1000	910
B (mm)	700	960	890
	800	870	800
	900	780	720
	1000	720	660

**FSV Mast** Unit: kg (W)

A (mm)	4000	4300	4700	5000	5500	6000
500	1250	1200	1150	1050	850	650
600	1090	1050	1000	910	740	570
B (mm)	700	960	930	890	810	660
	800	870	830	800	730	590
	900	780	750	720	660	530
	1000	720	690	660	600	490

**REACH LEGS HEIGHT**

7FBR13 ..... 275

**UNDERCLEARANCE**

Center of Wheelbase (No Load) ..... 98  
Rear Frame (No Load) ..... 90

NOTE: < > is data for V and SV mast at a maximum fork height of 2700 mm or less.

**SPECIAL MAST**

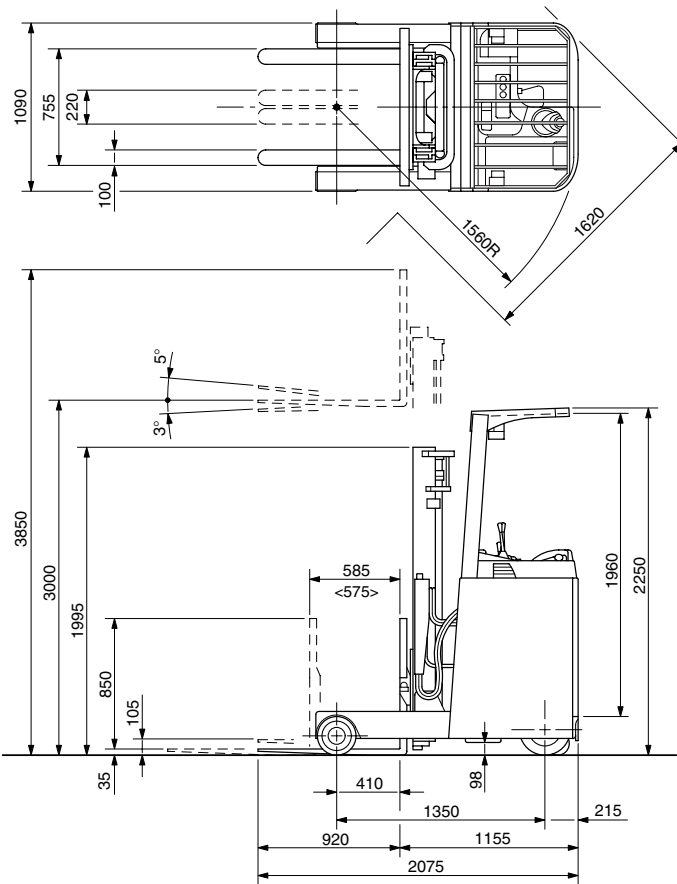
Wide Visible Mast (SV), Wide Visible Full-Free Lift Two-Stage Mast (FV),  
Wide Visible Full-Free Lift Three-Stage Mast (FSV)

Model		7FBR13				
Type of Mast		SV	FV	FSV		
<b>PERFORMANCE</b>						
Speeds	Lifting	Full Load	mm/sec	320	270	270
		No Load	mm/sec	540	480	480
	Lowering	Full Load	mm/sec	500	450	450
		No Load	mm/sec	550	400	550
Reach Stroke		mm	590 <550>	565	520	
<b>DIMENSIONS</b>						
Load Distance (Centerline of front axle to front face of forks)		mm	415	390	345	
Overall Length (to Top of Forks)		mm	1900	1925	1970	
Overall Width		mm	1090	1090	1090	
Turning Radius (Outside)		mm	1470	1470	1470	
Intersecting Aisle Width		mm	1570	1570	1570	

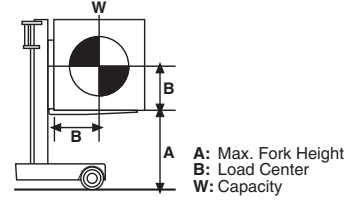
NOTE: < > is data for V and SV mast at a maximum fork height of 2700 mm or less.

**DIMENSIONAL DRAWINGS**  
7FBR15

Unit: mm



**RATED CAPACITIES**  
7FBR15



**V, SV, FV Mast** Unit: kg (W)

A (mm)	4000	4500	5000	
500	1500	1450	1400	
600	1310	1260	1220	
B (mm)	700	1160	1120	1080
800	1040	1000	970	
900	940	910	880	
1000	860	830	800	

**FSV Mast** Unit: kg (W)

A (mm)	4300	4700	5000	5500	6000	
500	1500	1450	1400	1150	900	
600	1310	1260	1220	1000	780	
B (mm)	700	1160	1120	1080	890	690
800	1040	1000	970	800	620	
900	940	910	880	720	570	
1000	860	830	800	660	520	

**REACH LEGS HEIGHT**

7FBR15 ..... 275

**UNDERCLEARANCE**

Center of Wheelbase (No Load) ..... 98  
Rear Frame (No Load) ..... 90

NOTE: < > is data for V and SV mast at a side pull-out battery model.

**SPECIAL MAST**

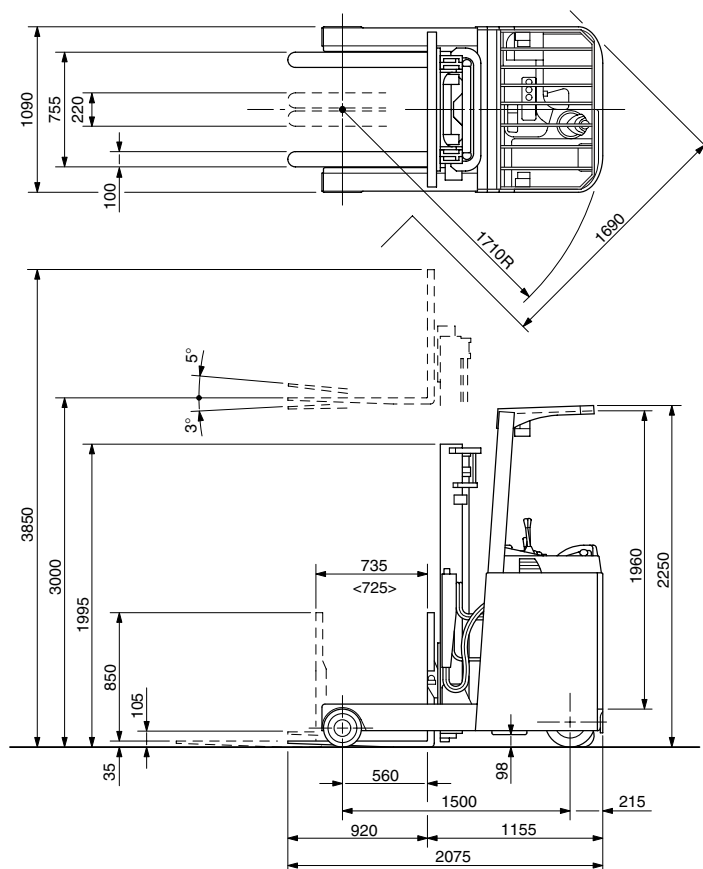
Wide Visible Mast (SV), Wide Visible Full-Free Lift Two-Stage Mast (FV),  
Wide Visible Full-Free Lift Three-Stage Mast (FSV)

Model			7FBR15			
Type of Mast			SV	FV	FSV	
<b>PERFORMANCE</b>						
Speeds	Lifting	Full Load	mm/sec	310	280	280
		No Load	mm/sec	540	480	480
	Lowering	Full Load	mm/sec	500	450	450
		No Load	mm/sec	550	400	550
Reach Stroke		mm	585 <575>	560	510	
<b>DIMENSIONS</b>						
Load Distance (Centerline of front axle to front face of forks)		mm	410	385	335	
Overall Length (to Top of Forks)		mm	2075	2100	2150	
Overall Width		mm	1090	1090	1090	
Turning Radius (Outside)		mm	1560	1560	1560	
Intersecting Aisle Width		mm	1620	1620	1620	

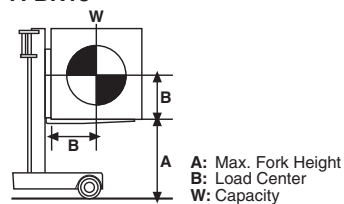
NOTE: < > is data for V and SV mast at a side pull-out battery model.

**DIMENSIONAL DRAWINGS**  
7FBR18

Unit: mm



**RATED CAPACITIES**  
7FBR18



**V, SV, FV Mast** Unit: kg (W)

A (mm)	4000	4500	5000
500	1800	1700	1550
600	1570	1480	1350
700	1390	1310	1200
800	1250	1180	1070
900	1130	1070	970
1000	1030	980	890

**FSV Mast** Unit: kg (W)

A (mm)	4000	4300	4700	5000	5500	6000
500	1800	1750	1650	1550	1350	1050
600	1570	1520	1440	1350	1180	910
700	1390	1350	1270	1200	1040	810
800	1250	1210	1140	1070	930	730
900	1130	1100	1040	970	850	660
1000	1030	1010	950	890	780	600

**REACH LEGS HEIGHT**

7FBR18 ..... 275

**UNDERCLEARANCE**

Center of Wheelbase (Full Load) ..... 98  
Rear Frame (Full Load) ..... 90

NOTE: < > is data for V and SV mast at a side pull-out battery model.

**SPECIAL MAST**

Wide Visible Mast (SV), Wide Visible Full-Free Lift Two-Stage Mast (FV),  
Wide Visible Full-Free Lift Three-Stage Mast (FSV)

Model			7FBR18			
Type of Mast			SV	FV	FSV	
<b>PERFORMANCE</b>						
Speeds	Lifting	Full Load	mm/sec	300	270	270
		No Load	mm/sec	540	480	480
	Lowering	Full Load	mm/sec	500	450	450
		No Load	mm/sec	550	400	550
Reach Stroke		mm	735 <725>	660	710	
<b>DIMENSIONS</b>						
Load Distance (Centerline of front axle to front face of forks)		mm	560	535	485	
Overall Length (to Top of Forks)		mm	2075	2100	2150	
Overall Width		mm	1090	1090	1090	
Turning Radius (Outside)		mm	1710	1710	1710	
Intersecting Aisle Width		mm	1690	1690	1690	

NOTE: < > is data for V and SV mast at a side pull-out battery model.

## MAST SPECIFICATIONS & RATED CAPACITIES

Wide Visible Mast (V), Wide Visible Mast (SV), Wide Visible Full-Free Lift Two-Stage Mast (FV),

Wide Visible Full-Free Lift Three-Stage Mast (FSV)

### 7FBR10

Mast Type	Maximum Fork Height	Overall Mast Height			Free Lift		Tilt Range		Load Capacity at 500 mm LC
		Lowered	Extended		Without Load Backrest	With Standard Load Backrest	Down	Up	
			Without Load Backrest	With Standard Load Backrest					
mm	mm	mm	mm	mm	mm	deg	deg	kg	
V	2500	1745	—	3350	—	100	3	5	1000
	2700	1845	—	3550	—	100	3	5	1000
	3000	1995	—	3850	—	100	3	5	1000
	3300	2145	—	4150	—	100	3	5	1000
	3500	2245	—	4350	—	100	3	5	1000
	3700	2345	—	4550	—	100	3	5	1000
	4000	2495	—	4850	—	100	3	5	1000
	4500	2845	—	5350	—	100	3	5	950
	5000	3095	—	5850	—	100	3	5	900
SV	2500	1745	—	3350	—	410	3	5	1000
	2700	1845	—	3550	—	410	3	5	1000
	3000	1995	—	3850	—	410	3	5	1000
	3300	2145	—	4150	—	410	3	5	1000
	3500	2245	—	4350	—	410	3	5	1000
	3700	2345	—	4550	—	410	3	5	1000
	4000	2495	—	4850	—	410	3	5	1000
	4500	2845	—	5350	—	410	3	5	950
	5000	3095	—	5850	—	410	3	5	900
FV	2500	1745	3115	3350	945	890	3	5	1000
	2700	1845	3315	3550	1045	990	3	5	1000
	3000	1995	3615	3850	1195	1140	3	5	1000
	3300	2145	3915	4150	1345	1290	3	5	1000
	3500	2245	4115	4350	1445	1390	3	5	1000
	3700	2345	4315	4550	1545	1490	3	5	1000
FSV	3700	1795	—	4550	—	940	3	5	1000
	4000	1895	—	4850	—	1040	3	5	1000
	4300	1995	—	5150	—	1140	3	5	950
	4500	2065	—	5350	—	1210	3	5	900
	4700	2145	—	5550	—	1290	3	5	900
	5000	2245	—	5850	—	1390	3	5	850
	5500	2405	—	6350	—	1545	3	5	700
	6000	2595	—	6850	—	1740	3	5	550

NOTE: Height of standard load backrest is 850 mm.  
without load backrest is standard on FV mast.

### 7FBR13

Mast Type	Maximum Fork Height	Overall Mast Height			Free Lift		Tilt Range		Load Capacity at 500 mm LC
		Lowered	Extended		Without Load Backrest	With Standard Load Backrest	Down	Up	
			Without Load Backrest	With Standard Load Backrest					
mm	mm	mm	mm	mm	mm	deg	deg	kg	
V	2500	1745	—	3350	—	100	3	5	1250
	2700	1845	—	3550	—	100	3	5	1250
	3000	1995	—	3850	—	100	3	5	1250
	3300	2145	—	4150	—	100	3	5	1250
	3500	2245	—	4350	—	100	3	5	1250
	3700	2345	—	4550	—	100	3	5	1250
	4000	2495	—	4850	—	100	3	5	1250
	4500	2845	—	5350	—	100	3	5	1150
	5000	3095	—	5850	—	100	3	5	1050
SV	2500	1745	—	3350	—	410	3	5	1250
	2700	1845	—	3550	—	410	3	5	1250
	3000	1995	—	3850	—	410	3	5	1250
	3300	2145	—	4150	—	410	3	5	1250
	3500	2245	—	4350	—	410	3	5	1250
	3700	2345	—	4550	—	410	3	5	1250
	4000	2495	—	4850	—	410	3	5	1250
	4500	2845	—	5350	—	410	3	5	1150
	5000	3095	—	5850	—	410	3	5	1050
FV	2500	1745	3115	3350	945	890	3	5	1250
	2700	1845	3315	3550	1045	990	3	5	1250
	3000	1995	3615	3850	1195	1140	3	5	1250
	3300	2145	3915	4150	1345	1290	3	5	1250
	3500	2245	4115	4350	1445	1390	3	5	1250
	3700	2345	4315	4550	1545	1490	3	5	1250
FSV	3700	1795	—	4550	—	940	3	5	1250
	4000	1895	—	4850	—	1040	3	5	1250
	4300	1995	—	5150	—	1140	3	5	1200
	4500	2065	—	5350	—	1210	3	5	1150
	4700	2145	—	5550	—	1290	3	5	1150
	5000	2245	—	5850	—	1390	3	5	1050
	5500	2405	—	6350	—	1545	3	5	850
	6000	2595	—	6850	—	1740	3	5	650

NOTE: Height of standard load backrest is 850 mm.  
without load backrest is standard on FV mast.

## MAST SPECIFICATIONS & RATED CAPACITIES

Wide Visible Mast (V), Wide Visible Mast (SV), Wide Visible Full-Free Lift Two-Stage Mast (FV),

Wide Visible Full-Free Lift Three-Stage Mast (FSV)

### 7FBR15

Mast Type	Maximum Fork Height	Overall Mast Height			Free Lift		Tilt Range		Load Capacity at 500 mm LC
		Lowered	Extended		Without Load Backrest	With Standard Load Backrest	Down	Up	
			Without Load Backrest	With Standard Load Backrest					
mm	mm	mm	mm	mm	mm	deg	deg	kg	
V	2500	1745	—	3350	—	105	3	5	1500
	2700	1845	—	3550	—	105	3	5	1500
	3000	1995	—	3850	—	105	3	5	1500
	3300	2145	—	4150	—	105	3	5	1500
	3500	2245	—	4350	—	105	3	5	1500
	3700	2345	—	4550	—	105	3	5	1500
	4000	2495	—	4850	—	105	3	5	1500
	4500	2845	—	5350	—	105	3	5	1450
	5000	3095	—	5850	—	105	3	5	1400
SV	2500	1745	—	3350	—	415	3	5	1500
	2700	1845	—	3550	—	415	3	5	1500
	3000	1995	—	3850	—	415	3	5	1500
	3300	2145	—	4150	—	415	3	5	1500
	3500	2245	—	4350	—	415	3	5	1500
	3700	2345	—	4550	—	415	3	5	1500
	4000	2495	—	4850	—	415	3	5	1500
	4500	2845	—	5350	—	415	3	5	1450
	5000	3095	—	5850	—	415	3	5	1400
FV	2500	1745	3115	3350	945	895	3	5	1500
	2700	1845	3315	3550	1045	995	3	5	1500
	3000	1995	3615	3850	1195	1145	3	5	1500
	3300	2145	3915	4150	1345	1295	3	5	1500
	3500	2245	4115	4350	1445	1395	3	5	1500
	3700	2345	4315	4550	1545	1495	3	5	1500
FSV	3700	2495	4615	4850	1695	1645	3	5	1500
	4000	1795	—	4550	—	945	3	5	1500
	4300	1895	—	4850	—	1045	3	5	1500
	4500	1995	—	5150	—	1145	3	5	1500
	4700	2065	—	5350	—	1215	3	5	1450
	5000	2145	—	5550	—	1295	3	5	1450
	6000	2245	—	5850	—	1395	3	5	1400
5500	2405	—	6350	—	1550	3	5	1150	
6000	2595	—	6850	—	1745	3	5	900	

NOTE: Height of standard load backrest is 850 mm.  
without load backrest is standard on FV mast.

### 7FBR18

Mast Type	Maximum Fork Height	Overall Mast Height			Free Lift		Tilt Range		Load Capacity at 500 mm LC
		Lowered	Extended		Without Load Backrest	With Standard Load Backrest	Down	Up	
			Without Load Backrest	With Standard Load Backrest					
mm	mm	mm	mm	mm	mm	deg	deg	kg	
V	2500	1745	—	3350	—	105	3	5	1800
	2700	1845	—	3550	—	105	3	5	1800
	3000	1995	—	3850	—	105	3	5	1800
	3300	2145	—	4150	—	105	3	5	1800
	3500	2245	—	4350	—	105	3	5	1800
	3700	2345	—	4550	—	105	3	5	1800
	4000	2495	—	4850	—	105	3	5	1800
	4500	2845	—	5350	—	105	3	5	1700
	5000	3095	—	5850	—	105	3	5	1550
SV	2500	1745	—	3350	—	415	3	5	1800
	2700	1845	—	3550	—	415	3	5	1800
	3000	1995	—	3850	—	415	3	5	1800
	3300	2145	—	4150	—	415	3	5	1800
	3500	2245	—	4350	—	415	3	5	1800
	3700	2345	—	4550	—	415	3	5	1800
	4000	2495	—	4850	—	415	3	5	1800
	4500	2845	—	5350	—	415	3	5	1700
	5000	3095	—	5850	—	415	3	5	1550
FV	2500	1745	3115	3350	945	895	3	5	1800
	2700	1845	3315	3550	1045	995	3	5	1800
	3000	1995	3615	3850	1195	1145	3	5	1800
	3300	2145	3915	4150	1345	1295	3	5	1800
	3500	2245	4115	4350	1445	1395	3	5	1800
	3700	2345	4315	4550	1545	1495	3	5	1800
FSV	4000	2495	4615	4850	1695	1645	3	5	1800
	3700	1795	—	4550	—	945	3	5	1800
	4000	1895	—	4850	—	1045	3	5	1800
	4300	1995	—	5150	—	1145	3	5	1750
	4500	2065	—	5350	—	1215	3	5	1650
	4700	2145	—	5550	—	1295	3	5	1650
	5000	2245	—	5850	—	1395	3	5	1550
5500	2405	—	6350	—	1550	3	5	1350	
6000	2595	—	6850	—	1745	3	5	1050	

NOTE: Height of standard load backrest is 850 mm.  
without load backrest is standard on FV mast.